

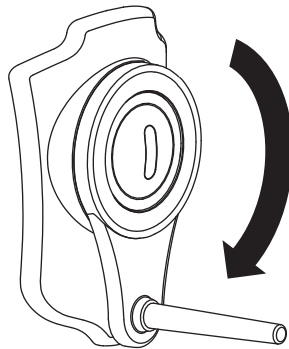
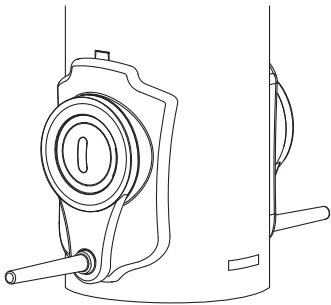
Cleaning the Feeder

Step 1: Slide the top away from the feeder along the hanger cable.

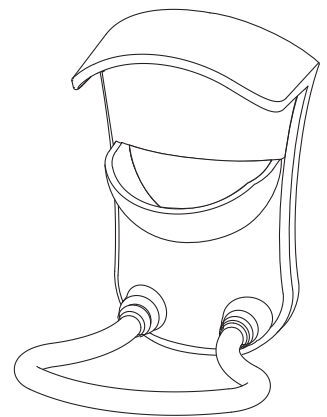
Step 2: Reach into the underside of the base of the feeder, gently pinch the two release tabs toward the center and pull the bottom of the base down.

Step 3: Clean from the top and bottom of the feeder with warm water and a mild antibacterial soap. Note the seed divider will stay in the feeder. Rinse thoroughly and let dry completely.

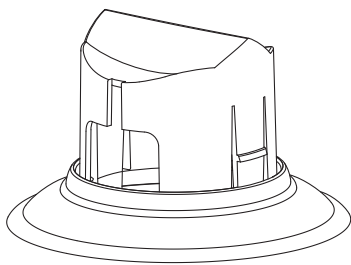
Step 4: To reassemble feeder, simply, slide the base back in place, making sure it snaps into position. Fill the feeder and replace lid.



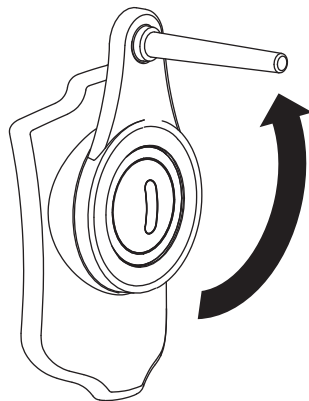
**Serve All Types
of Finches**



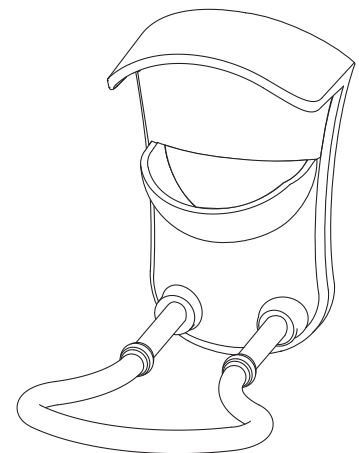
**Allows small
birds to feed**



**Release Tabs Inside
Base of Feeder**



Serve Only Goldfinches



**Allows larger
birds to feed**